



SEM-FL30-02B



1、LED Parameter

Item	(Min)	Typical Value	(Max)
Power	-	30W	36W
Rated Current	-	0.95 A	1.1 A
Rated Voltage	29V	31.5 V	32.5 V
Warm White CT	2700K	3200 K	3900 K
Pure White CT	4000K	5500 K	6000 K
Cool White CT	6000K	6500 K	7000 K
Normal Operation junction temperature	-	85 °C	105 °C
Quantity of LED	-	30PCS	-
LED chip	Bridge Lux		

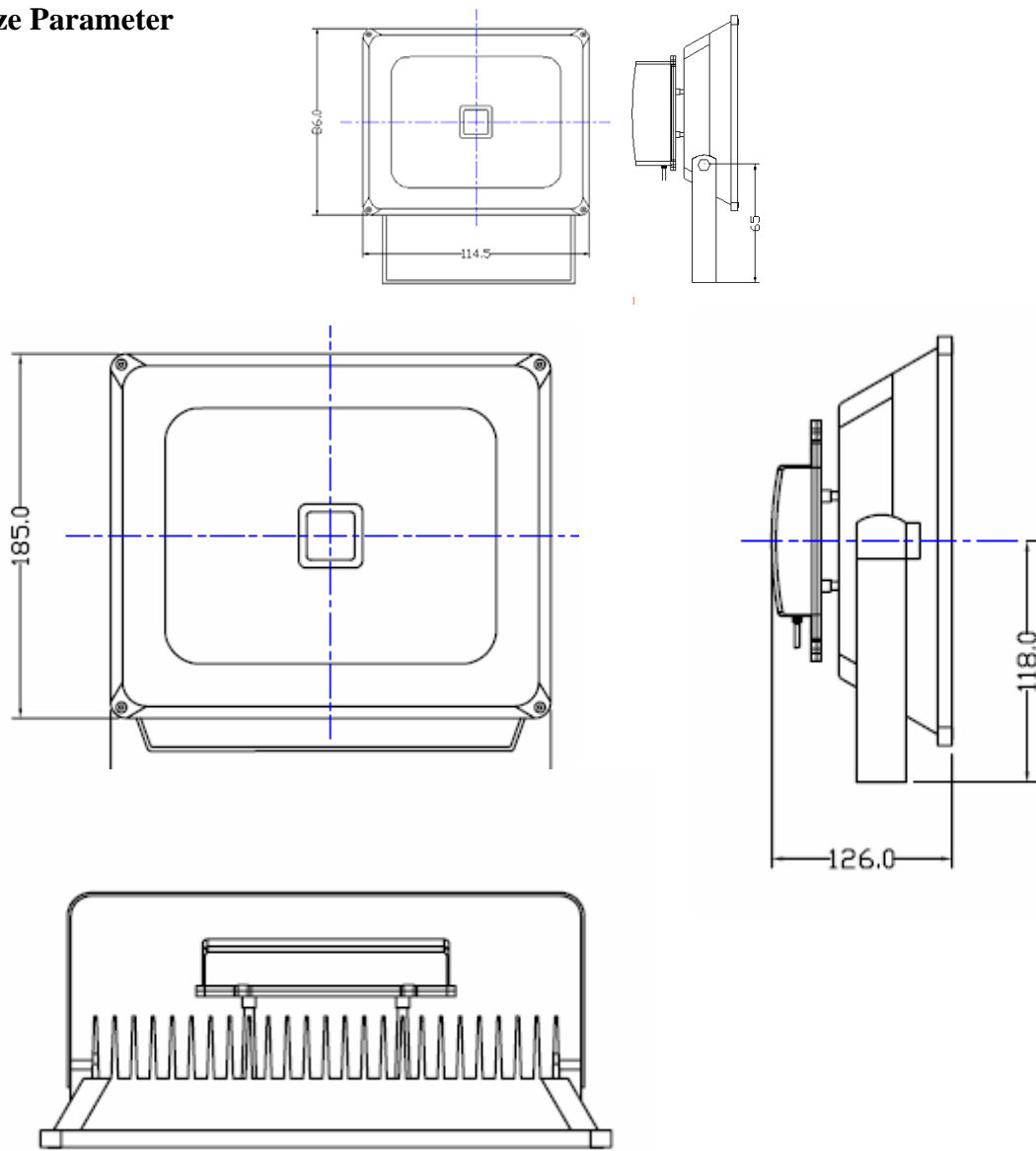
2、Technical Parameter

Input Voltage	AC85V~265V
Frequency Range	50Hz~60Hz
Total Harmonic Distortion	≤ 9 %
Power Factor	>0.98
Power Efficiency	>87 %
LED Working Voltage	DC30~36V

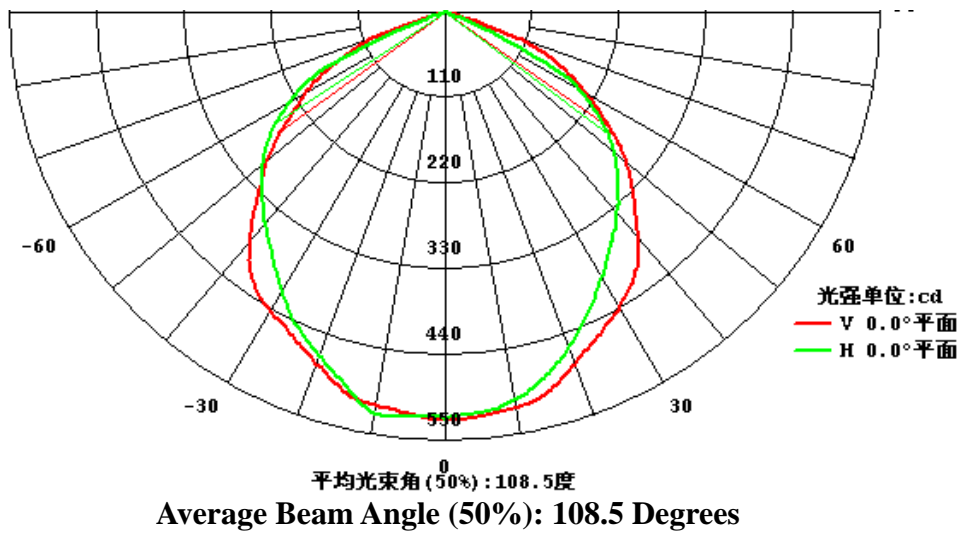
LED Quantity		1 pc
Led Consumption		30W
System Consumption		36W
Led Luminous Efficiency		74 Lm /W
Led Initial Flux		2400 Lm
Lamp's Efficiency		>91 %
Average Illuminance	4	28LUX
	6	8 LUX
	8	3 LUX
Illuminance Area	4	Circular area ϕ 5m
	6	Circular area ϕ 10m
	8	Circular area ϕ 22m
Illuminance Uniformity		>0.5
Color Temperature		Refer to the above LED parameter
Color Rendering Index		Ra>75
Light Distribution		symmetrical/round light spot
Light Design		LED+ Twice light distribution via the reflecting shade
LED Junction Temperature		$\leq 80^{\circ}\text{C}$
Working Temperature		$-40^{\circ}\text{C} \sim +55^{\circ}\text{C}$
Storage Temperature		$-25^{\circ}\text{C} \sim +65^{\circ}\text{C}$ (25 $^{\circ}\text{C}$ best)
IP Grade		IP65
Net weight		2.34Kg
Working Life-span		50000H
Power line		0.75mm ² Three Core Wire
Connect wire	Brown	L
	Blue	N
	Yellow/Green	G
The color of the lamp shell		Black、silvery white optional
Certificate		CE, ROHS, IEC60598

*****Remark: There is some deviation of the optical property for the LED of different color temperature, the deviation value $\leq 5\%$ *****

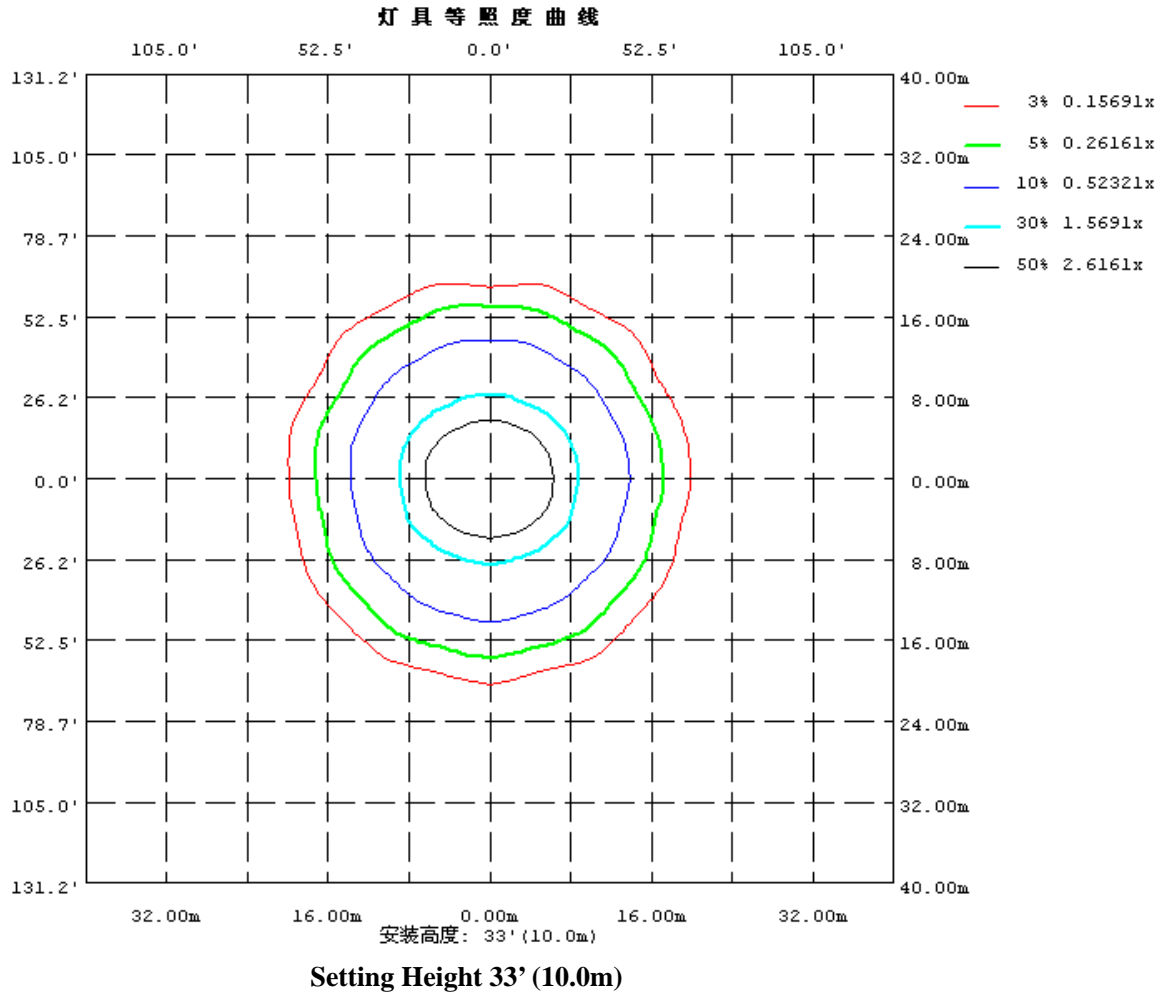
3、Size Parameter



4、Distribution curve flux



5、Isolux Curve



NRCS LIGHTING\ELECTRONIC LETTER OF AUTHORITY


APPLICANT NAME :	EARTH POWER		
TRADING NAME :	EARTH POWER		
POSTAL ADDRESS :	PO BOX 28 KALK BAY 7990	PHYSICAL ADDRESS :	23 B WESTLAKE DRIVE WESTLAKE ESTATE TOKAI 7945
CONTACT PERSON/S :	CHRIS LEAR		
TEL NO :	021 7021102 / 0837887130		
FAX NO :	021 7012877		
E-MAIL :	bryan@earthpower.co.za		

CUSTOMS IMPORTER CODE :	CHECKED
VAT REGISTRATION NO :	CHECKED
COMPANY REGISTRATION NO :	CHECKED

TARIFF HEADING:	94.05	REBATE CODE:	
DESCRIPTION	BRAND	COUNTRY OF ORIGIN	APPLICABLE STANDARD
FLOODLIGHT	SEMLIGHT	CHINA	SABS IEC 60 598-2-5

MODEL#
SEM-FL-10

ACCEPTED VARIATIONS			
SEM-FL50-01B	SEM-FL10-01X	SEM-FL20-01X	
SEM-FL30-01X	SEM-FL40-01X	SEM-FL50-01X	
SEM-FL60-01X	SEM-FL70-01X	SEM-FL80-01X	
SEM-FL90-01X	SEM-FL100-01X	SEM-FL120-01X	
SEM-FL100-01X	SEM-FL120-01X	SEM-FL150-01X	
where ! = Blank \$ = Alpha # = Numeric @ = Alphanumeric * = Blank or Alphanumeric			

CERTIFICATE NO :	000000058881/001	EXPIRY DATE:	09 Mar 2013
DATE OF ISSUE :	08 Mar 2010	AUTHORIZED :	
AUTHORIZING OFFICER :	Stephina Teffo		
DATABASE ENTRY NO :	58881		

This certificate is issued subject to the conditions attached overleaf