

SEM-FL120-02B



1、 LED Parameter

Item	(Min)	Typical Value	(Max)
Power	-	58 W	60 W
Rated Current	-	1.8 A	1.9 A
Rated Voltage	29V	31.2 V	32.5 V
Warm White CT	2700K	3200 K	3900 K
Pure White CT	4000K	5500 K	6000 K
Cool White CT	6000K	6500 K	7000 K
Normal Operation junction temperature	-	85 °C	105 °C
Quantity of LED	-	60 PCS	-
LED chip	Bridge Lux		

2、 Power Source Parameter

posting Mode	Built-in Driver
Input Voltage	AC85V~265V
Frequency Range	50Hz~60Hz
Max Power	100W
Total Harmonic Distortion	≤ 9 %
Power Factor	>0.98
Power Efficiency	>87 %
Output mode	CC DC
Output Voltage	DC 30-36V
Output Current	1.6-2.3A CC adjustable
Certificate	CE ROHS IEC60598
Life	15000 H

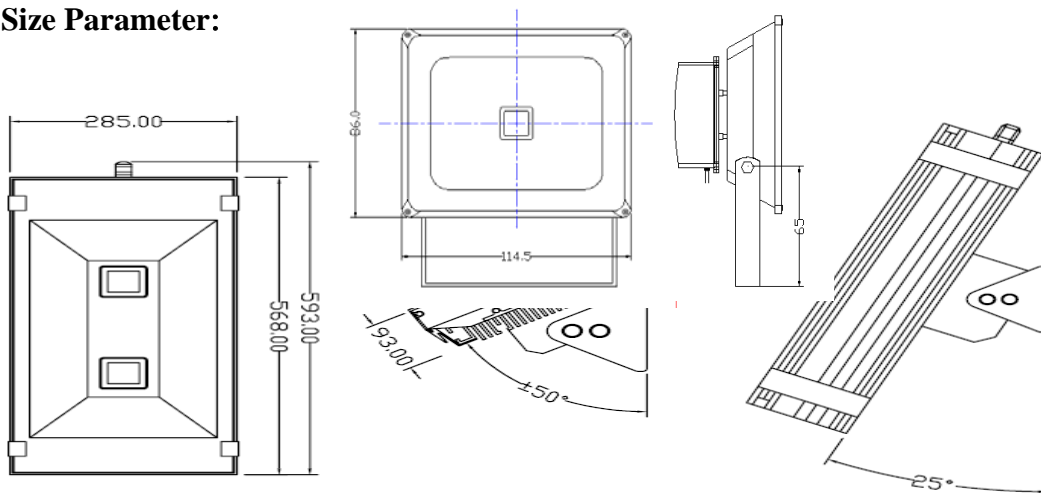
3、 Technical Parameter

LED Working Voltage	DC30~36V	
LED quantity	2 pcs	
Led Consumption	109 W	
System Consumption	125 W	
Led Luminous Efficiency	74 Lm /W	
Led Initial Flux	WW: 7500 Lm	
	PW: 8200 Lm	
	CW: 7800 Lm	
lamp's Efficiency	>85 %	
Average Illuminance	6M	41.6Lux
	8M	23 Lux
	10M	16 Lux
Illuminance Area	6M	8*8 M
	8M	11*11 M
	10M	15*15 M
Illuminance Uniformity	>0.6	
Color Temperature	Refer to the above LED parameter	
Color Rendering Index	Ra>75	
Light Distribution	symmetrical/rectangle light spot	
Light Design	LED+Twice light distribution of the reflecting shade	
Junction Temperature	≤80℃	

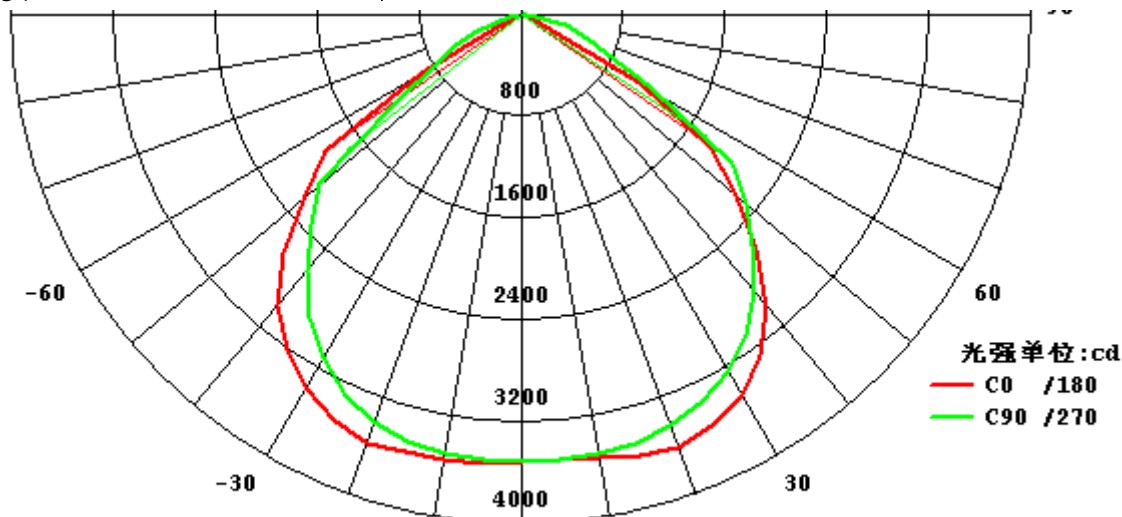
Working Temperature	-40℃ ~ +55℃	
Storage Temperature	-25℃ ~ +65℃ (25℃ The Best)	
IP Grade	IP65	
Net weight	11.2 Kg	
Working Life-span	50000H	
Power line	0.75mm ² Three Core Wire	
Connect Wire	Brown	L
	Blue	N
	Yellow/Green	G
The color of the lamp shell	Black	

*****Remark: There is some deviation of the optical property for the LED of different color temperature, the deviation value $\leq 5\%$ *****

4、 Size Parameter:

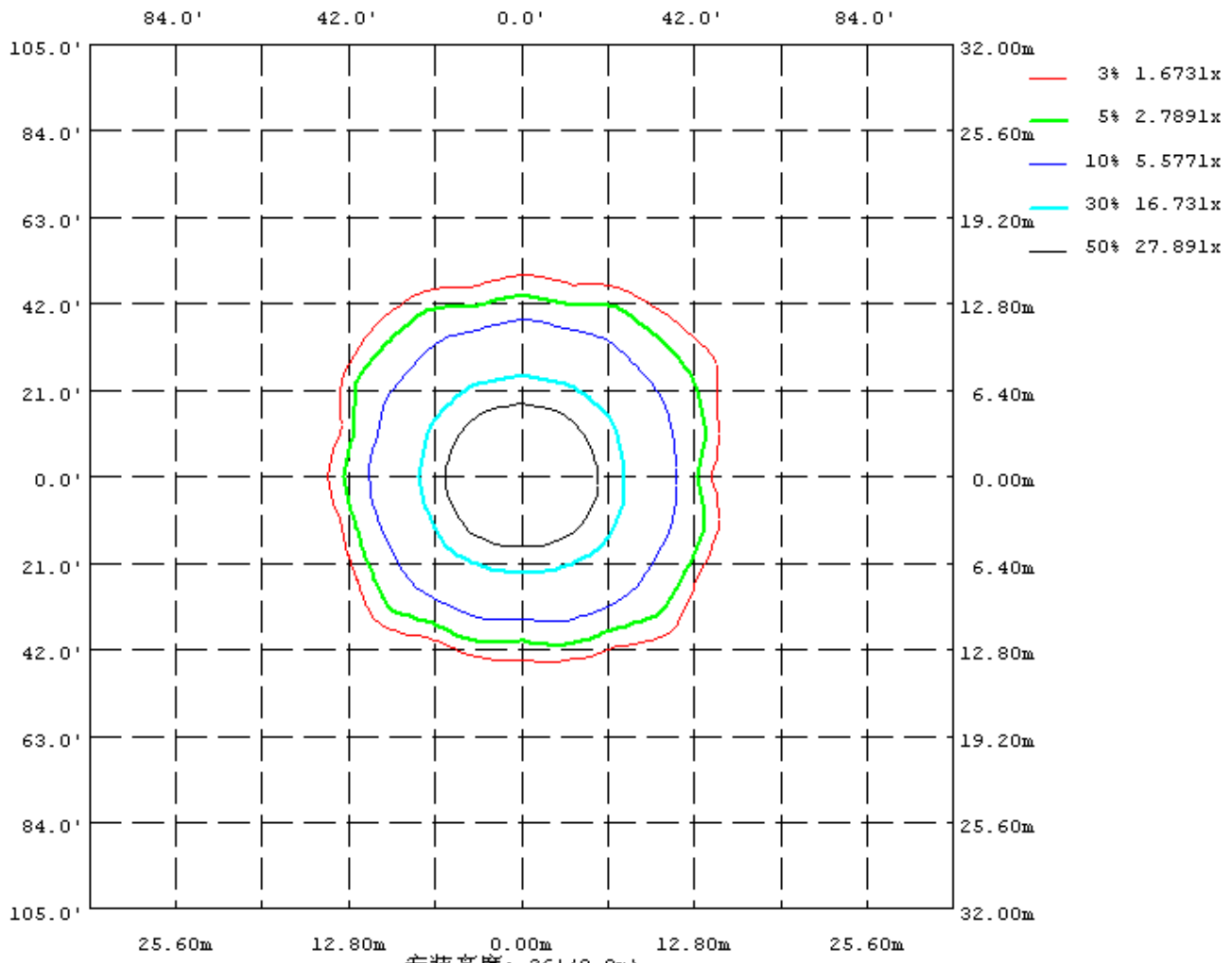


5、



平均光束角(50%): 109.8度
Average Beam Angle (50%): 109.8 Degree

6、 Isolux Curve



安装高度: 26' (8.0m)
 Setting Height 26' (8.0m)

NRCS LIGHTING\ELECTRONIC LETTER OF AUTHORITY


APPLICANT NAME :	EARTH POWER		
TRADING NAME :	EARTH POWER		
POSTAL ADDRESS :	PO BOX 28 KALK BAY 7990	PHYSICAL ADDRESS :	23 B WESTLAKE DRIVE WESTLAKE ESTATE TOKAI 7945
CONTACT PERSON/S :	CHRIS LEAR		
TEL NO :	021 7021102 / 0837887130		
FAX NO :	021 7012877		
E-MAIL :	bryan@earthpower.co.za		

CUSTOMS IMPORTER CODE :	CHECKED
VAT REGISTRATION NO :	CHECKED
COMPANY REGISTRATION NO :	CHECKED

TARIFF HEADING:	94.05	REBATE CODE:	
DESCRIPTION	BRAND	COUNTRY OF ORIGIN	APPLICABLE STANDARD
FLOODLIGHT	SEMLIGHT	CHINA	SABS IEC 60 598-2-5

MODEL#
SEM-FL-10

ACCEPTED VARIATIONS			
SEM-FL50-01B	SEM-FL10-01X	SEM-FL20-01X	
SEM-FL30-01X	SEM-FL40-01X	SEM-FL50-01X	
SEM-FL60-01X	SEM-FL70-01X	SEM-FL80-01X	
SEM-FL90-01X	SEM-FL100-01X	SEM-FL120-01X	
SEM-FL100-01X	SEM-FL120-01X	SEM-FL150-01X	
where ! = Blank \$ = Alpha # = Numeric @ = Alphanumeric * = Blank or Alphanumeric			

CERTIFICATE NO :	000000058881/001	EXPIRY DATE:	09 Mar 2013
DATE OF ISSUE :	08 Mar 2010	AUTHORIZED :	
AUTHORIZING OFFICER :	Stephina Teffo		
DATABASE ENTRY NO :	58881		

This certificate is issued subject to the conditions attached overleaf